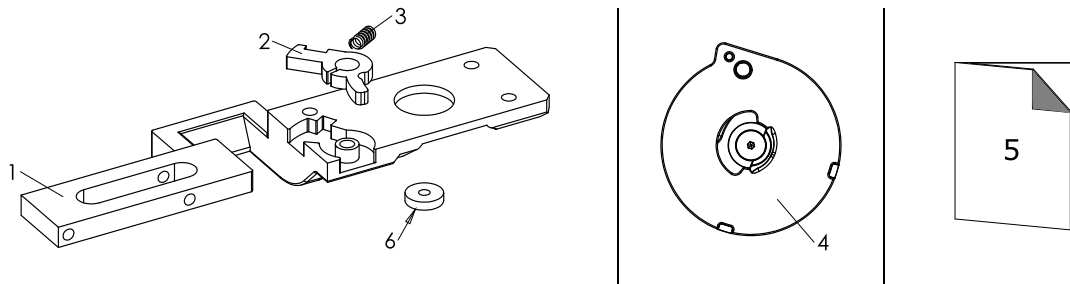
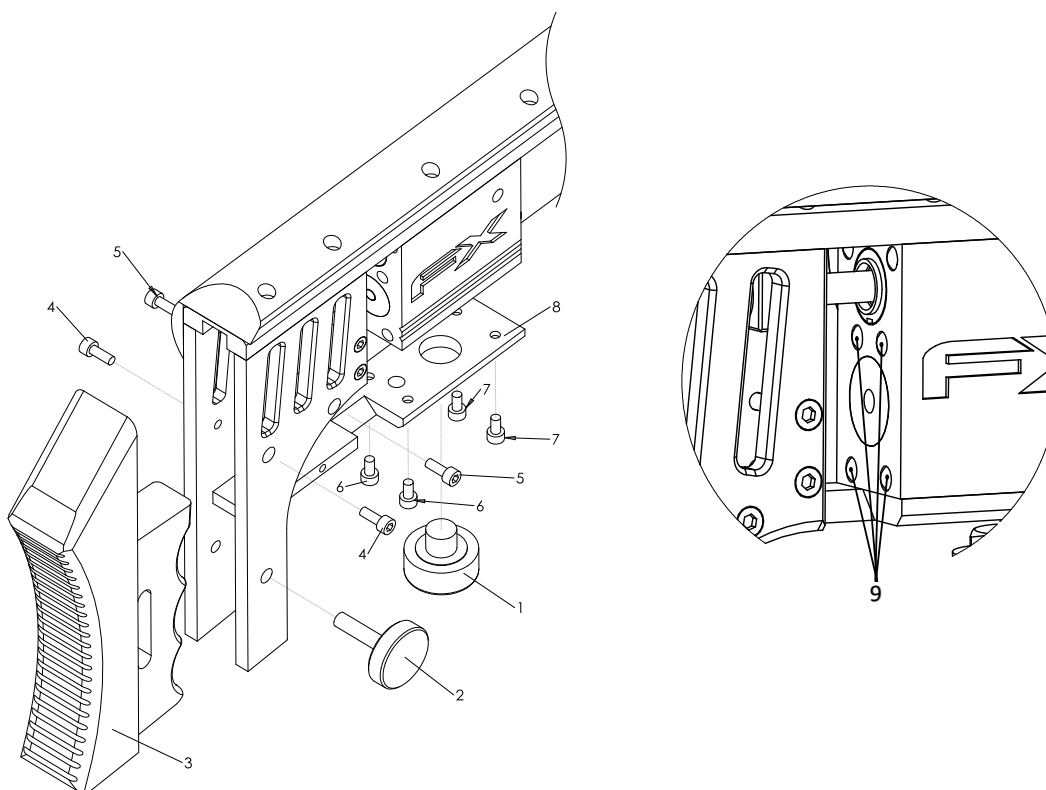


Magazine Bracket replacement

The package contains:



POSITION	ARTICLE NO.	DESCRIPTION	QUANTITY
1	20117	Magazine bracket, Impact	1
2	20116	Locking arm Magazine bracket	1
3	16093	Spring 0.3x2x10	1
4	-	Magazine FX, Side-Shot	1
5	19785	User manual, Magazine Bracket replacement	1
6	19723-1	Plastic washer	1 (Optional to replace)



WARNING! Unscrew and remove the air bottle and make sure the rifle is drained of air! Both of pressure gauges must be on zero air pressure!

1 - Unscrew and remove Pressure Gauge (position 1)

2 - Unscrew and remove Shoulder-pad Adjuster Screw (position 2) and remove Recoil-Pad (position 3)

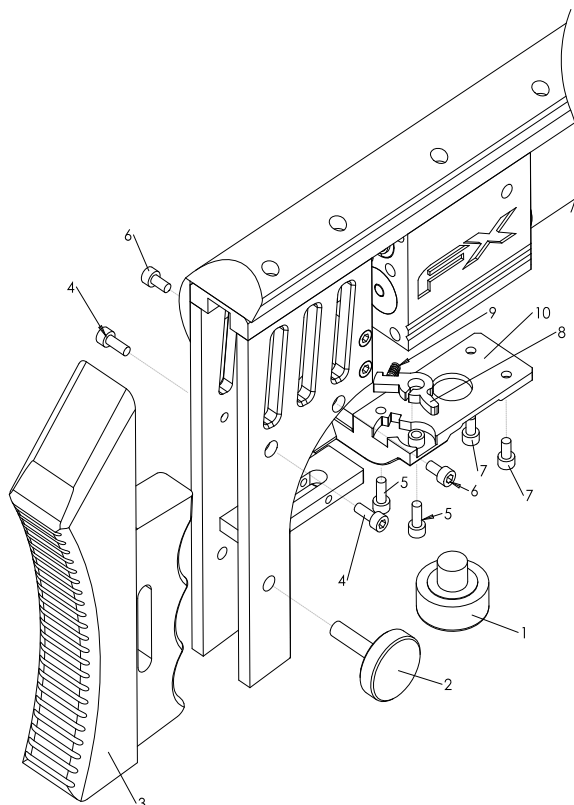
3 - Unscrew and remove the screws (positions 4 and 5), Screw M3x8

4 - Unscrew and remove the screws (positions 6 and 7), Screw M3x6

5 - Lift of plate holder (position 8)

6 - Remove four rubber balls (position 9)

Magazine Bracket replacement



WARNING! Unscrew and remove the air bottle and make sure the rifle is drained of air! Both of pressure gauges must be on zero air pressure!

1 - Put locking arm (*position 8*) and Spring (*position 9*) on the place in magazine bracket (*position 10*)

2 - Place magazine bracket, with locking arm and spring, on the place between Impact plates

3 - Fix the magazine bracket (*10*) with screws M3x6 (*position 7*)

4 - Fix the magazine bracket (*10*) with screws M3x8 (*position 5*)

5 - Fix the magazine bracket (*10*) with screws M3x6 (*position 6*)

6 - Fix the magazine bracket (*10*) with screws M3x8 (*position 4*)

7 - Put the Recoil-Pad (*position 3*) on the place and fix it with Shoulder-pad Adjuster Screw (*position 2*)

8 - Put the Pressure Gauge (*position 1*) on the place and tighten normally.

9 - Screw the air bottle on the rifle and fill with air

10 – Check the pressure gauge for the leaks, if it leaks tighten it slightly. (*Replace to the new plastic washer, below the pressure gauge, ONLY if the pressure gauge is not holding tight!*)

